

Compliance



European Directives, CE

Directive	Standard detail and/or measurement reference
Electromagnetic Compatibility (EMC) 2014/30/EU	EN/(IEC) 61000-6-2:2005 EN/(IEC) 61000-6-4:2007+A1
RoHS2 Directive (2011/65/EU)	



UK Legislation, UKCA

UK Legislation	Harmonised Standard and/or measurement reference
Electromagnetic Compatibility Regulations 2016	BS EN/(IEC) 61000-6-2:2005 BS EN/(IEC) 61000-6-4:2007+A1
The Restriction of the Use of Certain Hazardous Substances in Electrical and Electronic Equipment Regulations 2012	

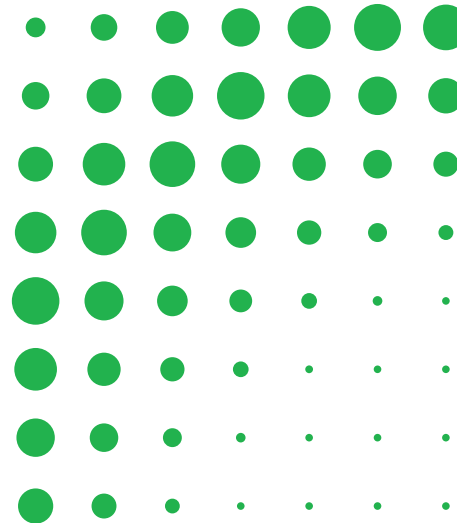
Technical data DIP 55

Medium	Compressed air, 40 µm, non-lubricated
Feed pressure	0.4–0.7 MPa / 58–101.5 psi
Nominal flow	8.6 NI/s / 18.2 scfm
Material	Ni, Al, SS, CuZn, NBR, PA66, PUR
Operating temperature	0°C–50°C / 32°F–149°F
Weight	80 g / 2.8 oz
Voltage	24 VDC
Power	0.6 W
Max length for installation cables	30 m

This manual is available in the following languages on piab.com:

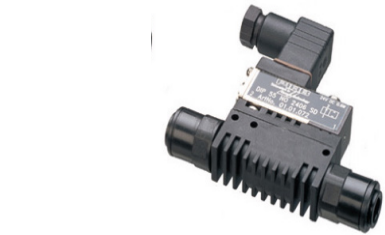
CHINESE	ITALIAN	PORTUGUESE
ENGLISH	JAPANESE	RUSSIAN
FRENCH	KOREAN	SPANISH
GERMAN	POLISH	SWEDISH

Piab gives you service all over the world.
To find your local distributor, please visit www.piab.com



Manufacturer
Piab AB
P.O. Box 146
SE-18212 DANDERYD
SWEDEN

Evolving automation



Evolving automation

Art. No. 0101096 rev03
Piab AB, 2022-10

Safety



Wear eye protection during installation and operation

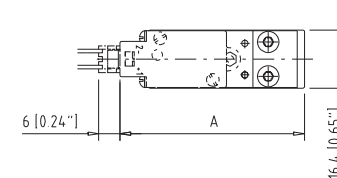
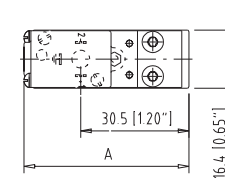
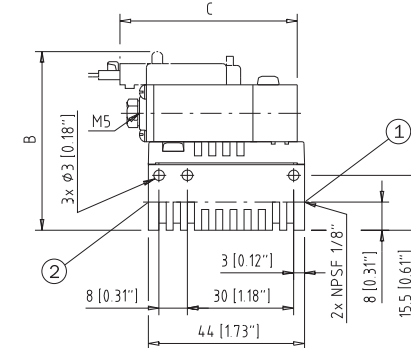
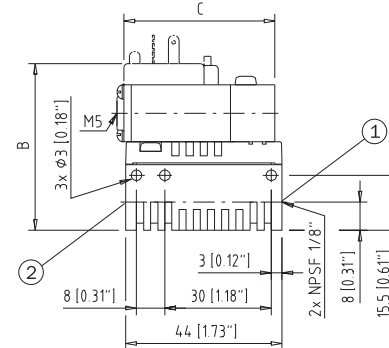
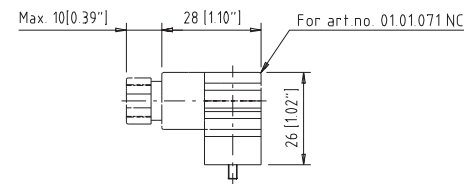
Intended use

- For professional use only
- The safety instructions shall be followed
- The product is used to sense pressure in vacuum systems
- The product shall be used in environments within the product's specifications and certifications.
- The product shall be installed in accordance with installation instructions

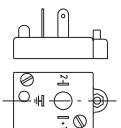
Misuse

- Do not install or operate the product if it is damaged
- The product shall not be pressurized outside of specification
- The product shall not be used as standalone safety system to fulfill international lifting norms.
- Using electrical voltage outside specification can cause equipment damage and/or application failure.

Valve	DIP 55 NC 2406 SD
Art no	01 01 071
Pneumatic chart	
Electric connection	DIP (c)
A mm [inch]	50 [1.97]
B mm [inch]	47 [1.85]
C mm [inch]	42.5 [1.67]



For DIN : D



- 1 Inlet pressure
- 2 Outlet pressure