

New design

Connection plate B & C, Vacuum pump MINI

The design upgrade of connection plates B & C includes optimized design and material usage.

Description:

- Function remains the same.
- Reduced weight
- Optimized design.
- Visual difference.
- Same build height.
- Cutout for screwhead.
- in production Q3-Q4 2022

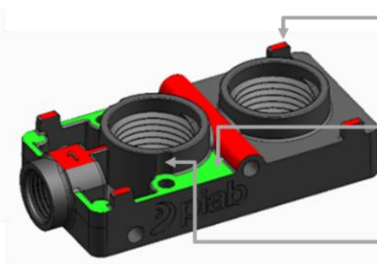


Connection plate B (1 x 3/8" NPSF)



Old Design

New Design



same height on old and new design (red surfaces)

3 mm lower height on new design (green surfaces)

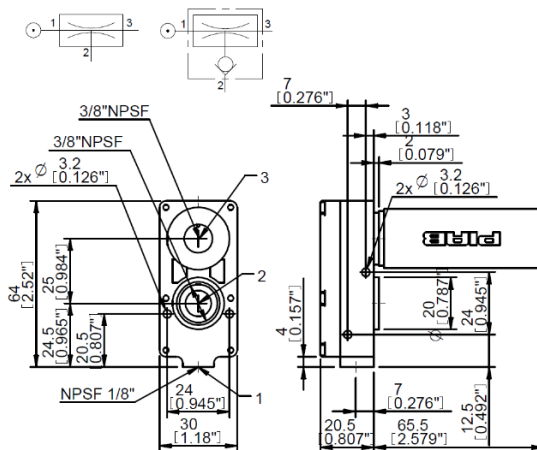
Cutout for screwhead

Technical Specification

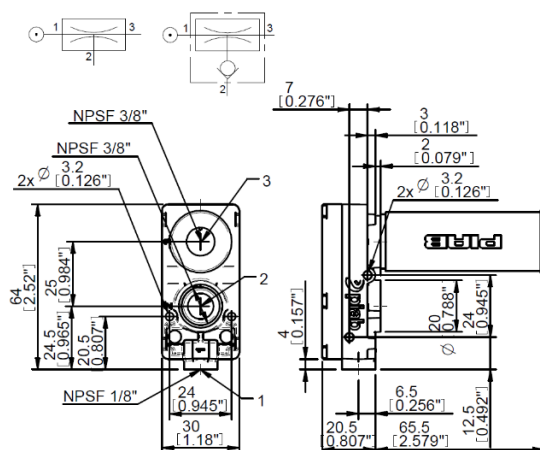
	Old Design	New Design
Weight	18.1 g 0.64 oz	10,5 g 0.37 oz
Material	PA	PA

Dimensional Drawings

Old Design



New Design

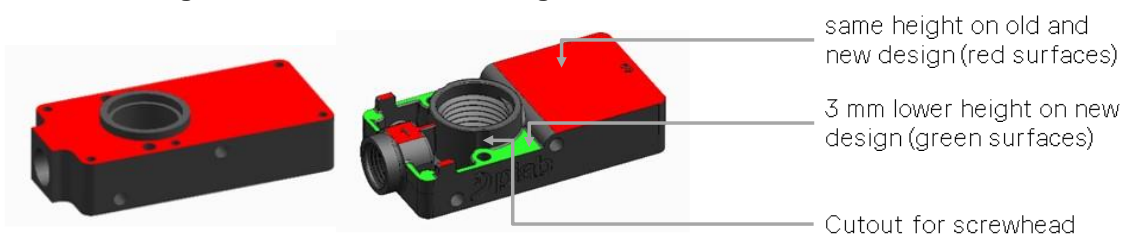


Connection plate C (2 x 3/8" NPSF)



Old Design

New Design

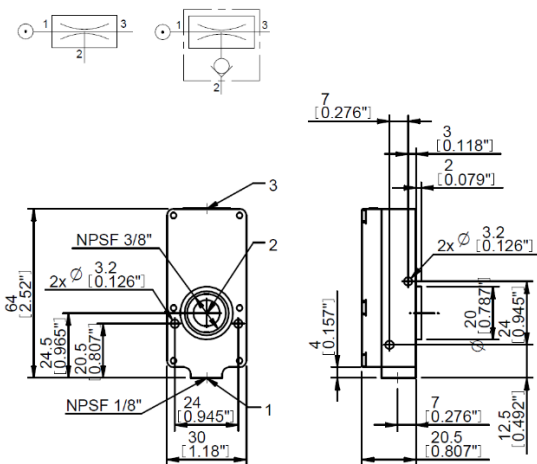


Technical Specification

	Old Design	New Design
Weight	17.4 g 0.61 oz	11,5 g 0.41 oz
Material	PA	PA

Dimensional Drawings

Old Design



New Design

